

## Cartridge Filter Housings



### WS Sanitary housings

#### WS-Sanitary housings

WS-Sanitary-Housings were especially developed for the application of sterile and ultra clean production lines. The special requirements of the pharma-, cosmetic-, beverage- or electronic-industry regarding suitable housings for sensitive processes can be found in the WS-Sanitary-Housing construction. The housing fastening of the small 01WS-Sanitary-Housings comes with a v-clamp while the taller 03WS-, 05WS- and 07WS-Sanitary-Housings are equipped with swing-bolts and ring nuts. WS-Sanitary-Housings are made of AISI 316L ( 1.4404 ) and inside and outside mirror-polished to surface roughness of  $R_a < 0,6\mu\text{m}$  ( inside ) /  $0.8\mu\text{m}$  ( outside ). The standard connections for inlet and outlet are TriClamp connectors, different connections can be produced on request. All WS-Sanitary-Housings are provided with a diaphragm pressure gauge with TriClamp, a Sanitary-vent valve and a Sanitary-drain-valve located on the inlet side.

Suitable filter cartridges to be installed in the WS-Sanitary-Housings are filter cartridges with bayonet adapter and fin ( Code 7 ). For better cleaning the bayonet connection plate can be removed in the 03WS-, 05WS- and 07WS-Sanitary-Housings. The standard series of the WS-Sanitary-Housings ranges from a filter housing for one single filter cartridge in the length of 10", 20" and 30" to filter housings for 7 filter cartridges in the lengths of 10" to 30". Additional sizes and lengths on request.

**New**

#### Technical data

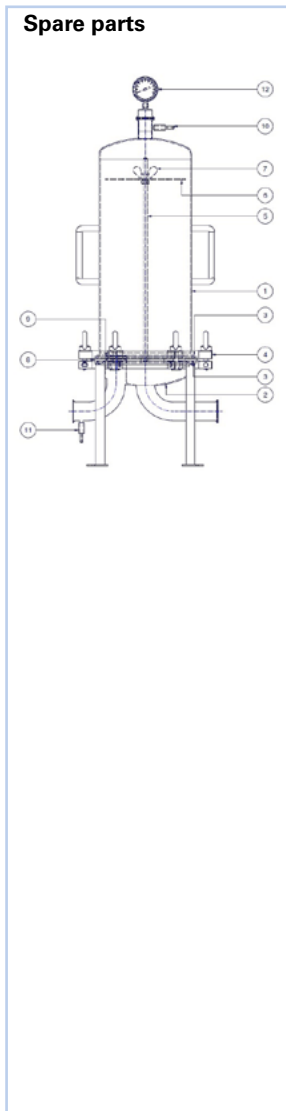
Material:	Housing: Stainless steel AISI 316L ( 1.4404 )
	O-Ring: Silicone
	V-Clamp: Stainless steel AISI 304 ( 1.4301 )
	Swing bolts and ring nuts: A2
Inlet / Outlet:	TriClamp ASME, size see table ( different connections on request )
Pressure gauge:	diaphragm pressure gauge with TriClamp 1.5" ASME
Vent:	1 x Sanitary-valve
Drain:	1 x Sanitary-valve ( inlet side )
Filter elements:	Code 7 ( bayonet adapter and fin ) Amount and length see table
Installations:	stainless steel AISI 316L ( 1.4404 )
Pressure:	max. 6 bar
Temperature:	max. 95°C
Flow rate:	The flow rate correlates to the nominal diameter of the housing connection and the characteristic curve of the flow rate of the chosen filter element.

#### Applications

- Sterile filters for ultra pure water in the electronic industry
- Fine filters for cosmetic products
- Sterile filters for pharmaceutical products
- Bacterial removal filters for the food- and beverage-industry
- Point-Of-Use filters in ultra-pure water systems
- Police filters for production of dairy products
- Post-filters for UV-sterilisation plants

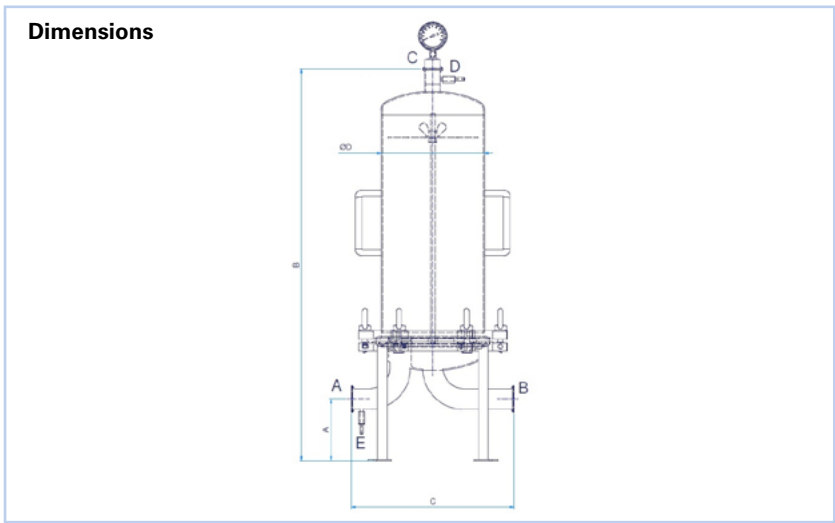
#### Features and Benefits

- Cartridge filter housings in sanitary version
- All stainless steel AISI 316L ( 1.4404 )
- Inside and outside mirror-polished  $< R_a 0.6 \mu\text{m}$  inside /  $0.8 \mu\text{m}$  outside
- Housing fastening 01WS with v-clamp, 03WS, 05WS and 07WS with swing bolts and ring nuts
- For filter cartridges Code 7 ( bayonet adapter and fin ) from 10" to 30"
- Removable adapter connection plate ( 03WS, 05WS, 07WS )
- Inline configuration of inlet and outlet with TriClamp connectors
- Diaphragm pressure gauge with TriClamp connector
- Sanitary-vent valve and a Sanitary-drain-valve located on the inlet side



### Spare parts

Pos.	Description	Material	Order designation	Order No.
1	Top part	AISI 316L	01WS10/20/30/40-Dom	999992
			03WS10/20/30/40-Dom	999992
			05WS10/20/30/40-Dom	999992
			07WS10/20/30/40-Dom	999992
2	Lower part	AISI 316L	01WS-Unterteil	999992
			03WS-Unterteil	999992
			05WS-Unterteil	999992
			07WS-Unterteil	999992
3	O-Ring for housing and O-Ring, large for connection plate	Silicone	01WS-OR-SIL-GEH	999996
			03WS-OR-SIL-GEH	999996
			05WS-OR-SIL-GEH	999996
			07WS-OR-SIL-GEH	999996
4	V-clamp, swing bolt ring nut Bolt	AISI 304	01WS-Spannklammer	999992
		A2	WS-Klappschraube	999992
		A2	WS-Ringmutter	999992
		AISI 304	WS-Bolzen	999992
5	Rod	AISI 316L	WS-Zugstange-10	999992
			WS-Zugstange-20	999992
			WS-Zugstange-30	999992
6	Centring plate	AISI 316L	03WS-Zentrierplatte	999992
			05WS-Zentrierplatte	999992
			07WS-Zentrierplatte	999992
7	Wing nut	AISI 316L	WS-Zugstange-Mutter	999992
8	Connection plate	AISI 316L	03WS-Aufnahmeplatte	999992
			05WS-Aufnahmeplatte	999992
			07WS-Aufnahmeplatte	999992
9	O-ring, small for connection plate	Silicone	WS-OR-Aufnahmeplatte-klein	999996
10	Sanitary-vent	AISI 316L	WS-Sanitary-Entlüftung	999992
11	Sanitary drain	AISI 316L	WS-Sanitary-Ablass	999992
12	diaphragm pressure gauge	AISI 316L	WS-Manometer-Membrandruckmittler	999997



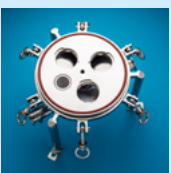
**Dimensions**

Type	Elements	A(mm)	B(mm)	C(mm)	D(mm)	In/Out
01WS10	1x10"	105	545	210	101	TriClamp 1" ASME
01WS20	1x20"	105	805	210	101	TriClamp 1" ASME
01WS30	1x30"	105	1055	210	101	TriClamp 1" ASME
03WS10	3x10"	150	690	350	219	TriClamp 1.5" ASME
03WS20	3x20"	150	940	350	219	TriClamp 1.5" ASME
03WS30	3x30"	150	1190	350	219	TriClamp 1.5" ASME
05WS10	5x10"	150	725	400	254	TriClamp 2" ASME
05WS20	5x20"	150	975	400	254	TriClamp 2" ASME
05WS30	5x30"	150	1225	400	254	TriClamp 2" ASME
07WS10	7x10"	150	755	420	273	TriClamp 2" ASME
07WS20	7x20"	150	1005	420	273	TriClamp 2" ASME
07WS30	7x30"	150	1255	420	273	TriClamp 2" ASME

Additional sizes and lengths or different connections for inlet and outlet on request.



All WS-Sanitary-Housings are provided with a diaphragm pressure gauge with TriClamp, a Sanitary-vent valve and a Sanitary-drain-valve located on the inlet side.



For better cleaning the bayonet connection plate can be removed in the 03WS-, 05WS- and 07WS-Sanitary-Housings.

### Order example

01	WS	10	-	DN	25	-	226	-	TS
1	2	3		4	4		5		6

### Order information

Pos	Designation
1	01 = housing for one filter cartridge
	03 = housing for 3 filter cartridges
	05 = housing for 5 filter cartridges
	07 = housing for 7 filter cartridges
	Additional amount of filter cartridges on request
2	WS = WS Sanitary housings
3	10 = housing for 10" cartridges
	20 = housing for 20" cartridges
	30 = housing for 30" cartridges
	40 = housing for 40" cartridges (on request)
4	25 = Connection TriClamp 1" ASME
	40 = Connection TriClamp 1.5" ASME
	50 = Connection TriClamp 2" ASME
	Different connections and sizes on request
5	226 = For filter cartridges Code 7
	222 = For filter cartridges Code 5 / Code 8 ( on request )
6	T = Stainless steel AISI 316L (1.4404)
	S = O-rings silicone ( different materials on request )