

Self-cleaning filter

Pivoted version



WTSRF Self-cleaning filter made of stainless steel with wedge wire element

The construction of the WTSRF Self Cleaning Filters offers optimum handling, assembly and cleaning. For improved accessibility for maintenance or inspection the whole filter is pivoted on a mobile rack. Even if the filter is in inclined position, the filter element as well as the wiper cage can simply be pulled up and out of the housing. The complete interior of the housing is then empty. As an option, the filter is also available in a standing version. Due to the special position of the connections like inlet and outlet, back flushing and discharging, the WTSRF Self Cleaning Filters can be completely rest-drained like our Sanitary housings. WTSRF Self Cleaning Filters consist of the four assembly groups filter housing, drive, filter element and attachments. These can be adapted individually to existing customer requirements. The standard version already possesses many options, which make additional custom made equipment possible by simple mounting the attachments.

WTSRF-Self-cleaning filter

New



Technical data

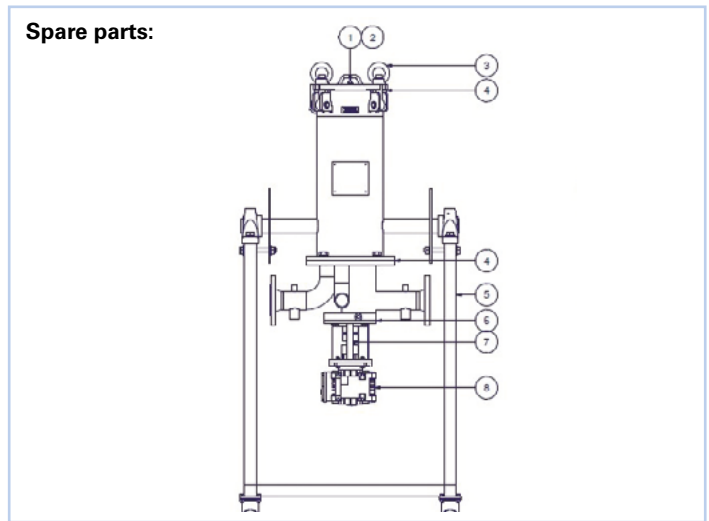
Material:	Housing: 1.4571 (316Ti)
	Filter element: 1.4435 (316 L Mo+)
	Installations: 1.4571 (316 Ti)
	O-Rings: Viton and PTFE
In- / Outlet:	DN50 PN16 DIN 2633
Drain:	R 1 ½" external thread
Vent:	R ¼" internal thread
Filter ration:	25 µm to 1000 µm
Pressure:	max. 10 bar
Temperature:	max. 95°C
Drive:	400V , 50Hz, 0,12 kW, IP65, (Ex-proof on request)
Flow rate:	The flow rate correlates to the nominal diameter of the housing connection, the slot size of the used filter element, the assembly size of the filter housing as well as the dirt load and viscosity of the filtrate medium

Applications

- Prefilters for pumps
- Coarse filters for delivery per refueling vehicle
- Protection filters for spray nozzles in coating plants
- En-filter for bottling into containers
- Particle filter for protection of heat exchangers and cooling circuits
- Fine filter for chocolate, syrup and gelatin
- Recycling filters for cooking oil, cooking water, washing water
- Dirt collectors for waste water

Features and Benefits

- Easy handling, assembly and cleaning
- Pivoted on mobile rack
- Wedge wire elementes 25 µm to 1000 µm
- Three assembly sizes with filter area 685 cm², 1390 cm² and 2085 cm²
- For assembly groups individually modified to suite your needs
- Inline alignment of inlet and outlet
- Multiple options to refit special equipment
- Ex-proof motor on request

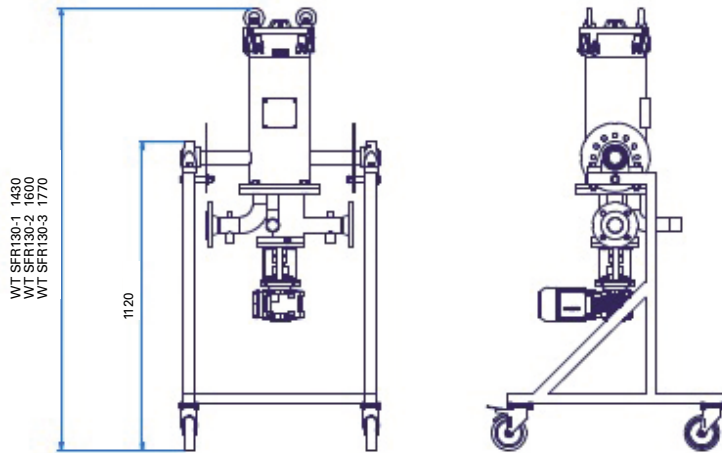


Spare parts:

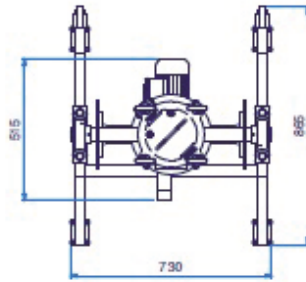
Pos.	Description	Material	Order-Designation	Order-No.
1	Plug, 1/4"	1.4571	3WT-ESTP-1/4-T	007151
2	Gasket	PTFE	3WT-DIPTFE-ENTL	000364
3	Ring nut	C15	d219x3-Ringmutter-C	007733
4	O-ring Housing	Viton	WTBF40-ORVIT-GEH	001082
		Viton-FEP	WTBF40-ORFEP-GEH	002252
		Silikon	WTBF40-ORSIL-GEH	003856
		EPDM	WTBF40-OREPDM-GEH	005672
5	Rack with rolls and bearing	1.4301	WTSRF130-Gestell	999995
6	O-ring shaft	Viton	WTSRF-ORVIT-Welle	999997
		Viton-FEP	WTSRF-ORFEP-Welle	999997
		Silikon	WTSRF-ORSIL-Welle	999997
		EPDM	WTSRF-OREPDM-Welle	999997
7	Shaft with sealing cartridge	1.4571	WTSRF130-2-Welle mit Dichtungskartusche	008490
8	Gear drive	Stahl	WTSRF130-2-Motor	999995
9	Bearing	PTFE	WTSRF130-2-Lagerschale-T	008491
10	Wedge wire elemnet 25 µm to 1000 µm	1.4435	WTSRF130-2-SRxxxxT	999991
11	Cage, completed	1.4571	WTSRF130-2-Käfig	999995
12	Wiper	PTFE	WTSRF130-2-Abstreifer-T	008489



Dimensions:



Dimensions:



Free filter surface area

25µm	35µm	50µm	75µm	100µm	125µm	150µm	200µm	250µm	275µm	300µm	350µm	500µm	750µm	1.000µm
1.2%	1.8%	2.5%	3.7%	4.8%	5.9%	7.0%	9.1%	11.2%	12.1%	13.1%	14.9%	20.0%	27.3%	33.4%

All data refer to wedge wire cartridges with inside support,
Flow direction FOTI (From Outside To Inside)

Order example

WTSRF	130	-	2	-	F	50	-	T	V	-
1	2		3		4	5		6	7	8

Order information

Pos	Designation
1	WTSRF = Wolftechnik Self Cleaning Filter
2	130 = Diameter wedge wire element
3	1 = Length wedge wire element 210 mm: 695 cm ² filter surface area
	2 = Length wedge wire element 380 mm: 1390 cm ² filter surface area
	3 = Length wedge wire element 550 mm: 2085 cm ² filter surface area
4	R = Pipe thread
	F = Flange
	TC = TriClamp
	M = Screwed pipe connection DIN11851
5	2 = 2" internal thread
	50 = Nominal diameter DN50
6	T = Housing material stainless steel 1.4571 (316 Ti)
	L = Housing material stainless steel 1.4301 (304)
7	V = O-ring made of Viton
	S = O-ring made of Silicone
	E = O-ring made of EPDM
	B = O-ring made of Buna
	F = O-ring made of Viton-FEP-encapsulated
8	Labeling of special equipment