

Filter bag installation/removal tool

WTBF-EABH filter bag installation/removal tool made of stainless steel for bag filter housing

The WTBF-EABH filter bag installation/removal tool made of stainless steel for bag filter housings has been developed to ensure clean and easy installation and removal of non-woven filter bags. Due to the ring-shaped head, the filter bag is gently expanded during insertion and the filter bag securely attaches to the pressure holding basket when the liquid flows in. By the filter changes, the welded barbs serve as a removal tool. This allows the blocked filter bag to be pulled out of the bag filter housing cleanly practically contactlessly.

For all common filter bags made of PP or PE, as well as for all filter bags with plastic sealing collar or sewn-in metal ring, the WTBF-EABH filter bag installation/removal tool can be used for installation. WTBF-EABH filter bag installation/removal tool can be used not only for Wolftechnik bag filter housings and filter bags, but also for third-party brands. WTBF-EABH filter bag installation/removal tool are easy to use and easy to clean after use.



WTBF-EABH filter bag installation/removal tool made of stainless steel

New

Technical Data

Material:	Stainless steel: AISI 304
Length:	1035 mm
Width:	180 mm
Height:	129 mm
Weight:	1,1 kg

Application

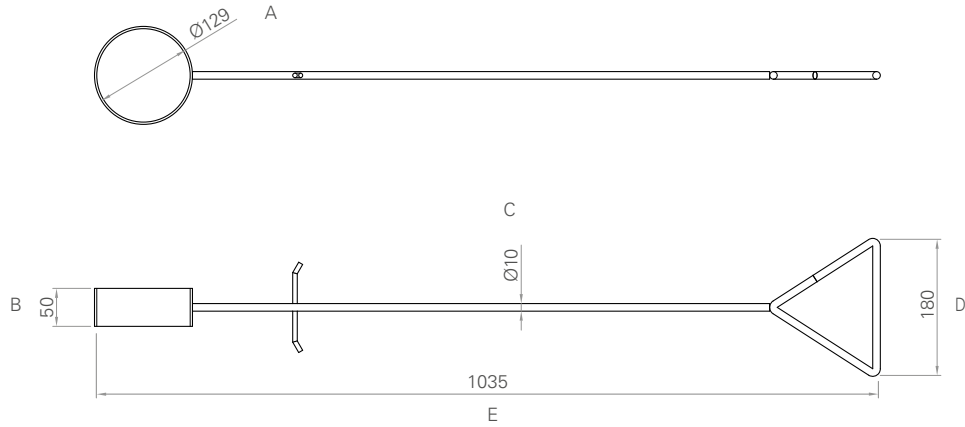
- Installation/removal tool for non-woven filter bags
- Independent of make and manufacturer
- For all filter bags made of PP and PE
- Installation tool for filter bags with plastic sealing collar and for sewn-in metal ring
- Removal tool for filter bags with plastic sealing collar

Features and Benefits

- Robust design
- Low weight
- Easy handling
- Trouble-free cleaning after use



Dimensions



A (mm)	B (mm)	C (mm)	D (mm)	E (mm)
$\varnothing 129$	50	$\varnothing 10$	180	1035

Order example

Order designation	Order Nr.
WTBF-EABH Filterbeutel-Einbau-/Ausbaulilfe	A009832

