

Bag Filters and Strainer Baskets

WTBF PP and PVDF Bag filter housings made of polypropylene

Wolftechnik bag filter housings can be manufactured entirely from plastic. They are available in three flow-rate-graded assembly sizes with filter areas from 0.1 m² and 0.5 m². All medium-contacting parts in the standard version come in polypropylene with Viton O-Rings. Other materials for the housings (e.g. PVDF, PVC or PE) and for the O-Rings are also available. The housings are closed with stud bolts and star grips. Internally the housing is equipped with a press-on device and a pressure basket. The Wolftechnik bag filter housing connections can be delivered with GF screw connection as well as with a loose flange. The size and position of the connections can be adjusted according to customer specifications. Additional double filter housings made of plastic are equipped with three-way-ball-valves. This enables a parallel or single operation of the housings. During large product-charging or for continues operation it is possible to filtrate using only one housing, during which a filter change can be applied to the other housing. If the filter of the first housing clogs up, it is easy to switch to the second filter without disturbing the filtration process. The double filters can also be equipped with a feed-pump. The feed-pump, together with the double filter, is then attached onto a polypropylene pallet and completely tubed.

WTBF PP and PVDF bag filter housings

Technische Daten

| | | |
|------------------------|--|-------|
| Material: | Housing: | PP |
| | Basket: | PP |
| | O-Ring: | Viton |
| In-/Outlet: | Size, type and position per request | |
| Vent: | ½" internal thread | |
| Drain: | ½" internal thread | |
| Filter bag: | See table | |
| Installations: | PP | |
| Differential pressure: | Max. 2.5 bar | |
| Pressure: | Max. 5 bar @ 30°C, with cover reinforcement max. 6 bar/ 30°C | |
| Temperature: | Max. 50°C @ 3 bar, with cover reinforcement max. 60°C @ 3 bar | |
| Flow rate: | The maximum flow rate correlates to the nominal diameter of the housing connection and the characteristic curve of the flow rate of the chosen filter bag. | |

Applications

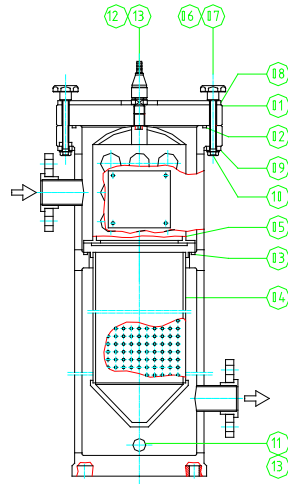
- Fine filters for acids and lyes
- Particle filters for cooling circuits
- Pre-filters for reverse osmosis plants
- Protection filters for pumps and instruments
- Coarse filters for raw material delivery
- Post-filter for filter presses

Features and Benefits

- Made entirely of polypropylene
- Filter area 0.1 m², 0.25 m² and 0.5 m²
- In- and outlet with flange connection or GF screw connection
- Size and location of in- and outlet according to assembly requirements
- Cover reinforcement up to 6 bar @ 30°C or 60°C @ 3 bar

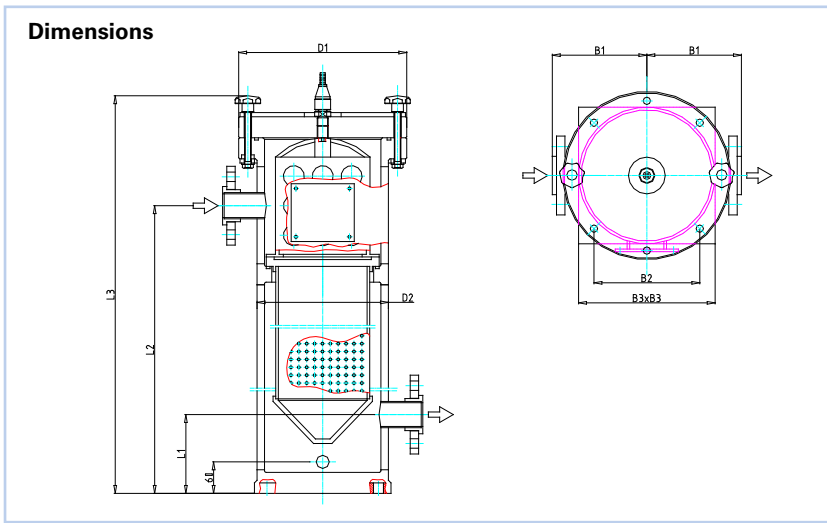


Spare parts



Spare parts

| Pos. | Description | Material | Order designation | Order No. | |
|------|---------------------|-------------|---------------------------|----------------------|--------|
| 1 | Cover | PP | WTBF40/85-Deckel-PP | 999993 | |
| 2 | O-Ring for housing | Viton | WTBF35-Deckel-PP | 999993 | |
| | | | WTBF40-ORVIT-GEH-PP | 001086 | |
| | | | WTBF35-ORVIT-GEH-PP | 999996 | |
| | | | EPDM | WTBF40-OREPDM-GEH-PP | 999996 |
| | | | WTBF35-OREPDM-GEH-PP | 999996 | |
| | | | FEP-encapsulated | WTBF40-ORFEP-GEH-PP | 999996 |
| | | | WTBF35-ORFEP-GEH-PP | 013738 | |
| 3 | O-Ring for Basket | Viton | WTBF40-ORPTFE-GEH-PP | 999996 | |
| | | | WTBF35-ORPTFE-GEH-PP | 999996 | |
| | | | EPDM | WTBF40-OREPDM-KRB-PP | 999996 |
| | | | WTBF35-OREPDM-KRB-PP | 999996 | |
| | | | FEP-encapsulated | WTBF40-ORFEP-KRB-PP | 002929 |
| | | | WTBF35-ORFEP-KRB-PP | 999996 | |
| | | | PTFE | WTBF40-ORPTFE-KRB-PP | 999996 |
| 4 | Basket | PP | WTBF35-ORPTFE-KRB-PP | 999996 | |
| | | | WTBF40-KORB-PP | 003435 | |
| | | | WTBF85-KORB-PP | 003434 | |
| 5 | Press-on device | PP | WTBF35-KORB-PP | 008431 | |
| | | | WTBF40-Andrückvorrichtung | 008434 | |
| 6 | Star grip nut | Plastic/ A2 | WTBF35-Andrückvorrichtung | 008432 | |
| | | | WTBF40-Sterngriff | 999997 | |
| 7 | Washer | A2 | WTBF35-Sterngriff | 999997 | |
| | | | WTBF40-U-Scheibe | 999997 | |
| 8 | Reinforcement plate | 1.4301 | WTBF35-U-Scheibe | 999997 | |
| | | | WTBF40-Verstärkungsplatte | 004662 | |
| 9 | Reinforcement ring | 1.4301 | WTBF35-Verstärkungsplatte | 999993 | |
| | | | WTBF40-Verstärkungsring | 004661 | |
| 10 | Bolt | A2 | WTBF35-Verstärkungsring | 999993 | |
| | | | WTBF40-Schraube | 999997 | |
| 11 | Vent plug 1/2" | PP | WTBF35-Schraube | 999997 | |
| | | | PP-Stopfen-1/2 | 004759 | |
| 12 | Vent valve | PP | PP-Entlüftung-V61 | 003376 | |
| 13 | O-ring for drainage | PP | PP-ASTOP-ORVIT | 003880 | |



Dimensions

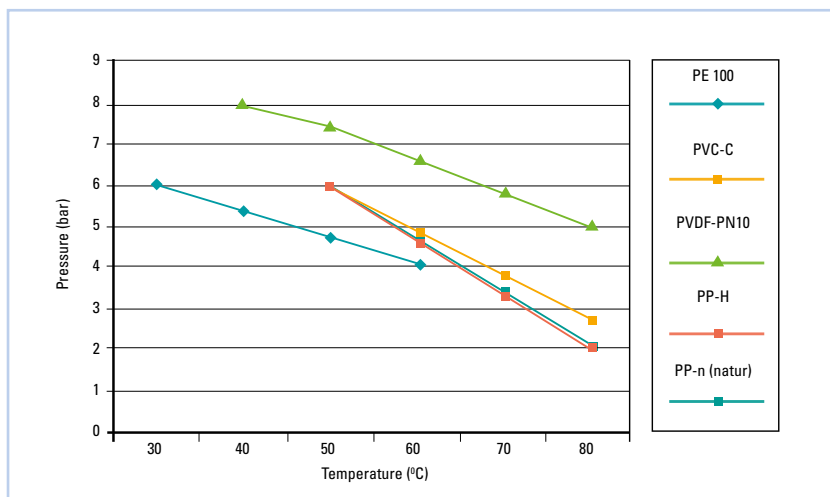
| | L1 | L2 | L3 | D1 | D2 | B1 | B2 | B3 |
|--------|-----|-----|------|-----|-----|-----|-----|-----|
| WTBF35 | 80 | 390 | 540 | 250 | 200 | 340 | 170 | 210 |
| WTBF40 | 150 | 530 | 780 | 320 | 250 | 390 | 220 | 260 |
| WTBF85 | 150 | 850 | 1080 | 320 | 250 | 390 | 220 | 260 |

Filter Bags

| Filter housings | WTBF35 | WTBF40 | WTBF85 |
|-----------------|--|---------------------|--------------------|
| Filter Bags | Size 4 | Size 1 | Size 2 |
| Filter area | 0.1 m ² | 0.25 m ² | 0.5 m ² |
| Ø bag (mm) | 100 | 180 | 180 |
| Length (mm) | 381 | 419 | 813 |
| Volume (l) | 2.5 | 8 | 17 |
| Material | PO: 1 – 300 µm PE: 1 – 200 µm EPE: 1 – 200 µm NMO: 40 – 1200 µm | | |

Pressure and temperature

The mechanical strength of the plastics changes depending on the temperature. The accompanying pressure/temperature diagram supplied assists as a guideline for the materials PE, PVC, PVDF, PP and PP-natural. Please note that the indicated values are the values for the semi-finished products only. The maximum operating pressure as well as the maximum operating temperature with the associated operating pressure of our filter housings can be taken from the technical data.



Order example

| | | | | | | | | | | | | |
|------|----|---|---|------|---|----|---|---|---|---|---|---|
| WTBF | 40 | - | F | --50 | - | SU | - | P | P | V | - | V |
| 1 | 2 | | 3 | 4 | | 5 | | 6 | 7 | 8 | | 9 |

Order information

| Pos | Designation | |
|-----|-------------|--|
| 1 | WTBF | Wolftechnik double-bag filter housings |
| 2 | 35 | Size for P4P bags |
| | 40 | Size for P1P bags |
| | 85 | Size for P2P bags |
| 3 | F | Flange |
| | E | GF screw connection, external thread |
| 4 | --25 | Nominal diameter 25 mm |
| | --40 | Nominal diameter 40 mm |
| | --50 | Nominal diameter 50 mm |
| | --65 | Nominal diameter 65 mm |
| | --80 | Nominal diameter 80 mm |
| | -100 | Nominal diameter 100 mm |
| 5 | SU | Inlet connection position on side, outlet in floor |
| | SS | Inlet connection position on side, outlet on side diagonally across |
| | SD | Inlet connection position on side, outlet on side below it (on one side) |
| 6 | P | Housing material = Polypropylene |
| | C | Housing material = PVC |
| | D | Housing material = PVDF |
| 7 | P | Basket material = Polypropylene |
| | C | Basket material = PVC |
| | D | Basket material = PVDF |
| 8 | V | O-Ring = Viton (standard) |
| | B | O-Ring = Buna |
| | E | O-Ring = EPDM |
| | S | O-Ring = Silicone |
| 9 | V | Cover reinforcement made of stainless steel 1.4301 |