

## Bag Filters and Strainer Baskets



Variant F

### MWTBF Multiple Bag Filter Housing with hinged cover and encased spring assembly or lift-swivel device

Multi Bag Filter Housing with hinged cover and encased spring assembly, alternatively with lift-swivel device, are for 3/4/6/8/10 filter bags and in the two sizes available for size 1 or size 2 filter bags. The spring assembly variant with spring pack is adjusted that way that the hinged cover can be opened and closed easily. For filter exchange or maintenance and inspection the cover can be fixed additionally in its stop position. With the lift-swivel device, the hinged cover is cranked upwards by means of a handwheel and then swiveled to the side. Inside the housing is the mounting plate with the support baskets and locking devices for 3/4/6/8/10 filter bags of size 1 or 2, depending on the variant selected. The bag-adaptation of the Multiple Bag Filter Housing is constructed that way, that WFB-Filter bags as well as non-company filter bags with higher collar rings can be installed. Mesh lined strainer baskets, LUPUS®II-elements or magnet inserts are additional installation options for Multiple Bag Filter Housing.

The connections for inlet and outlet can be delivered in different nominal sizes and terminations and the location of the nozzles can be adjusted according to the on-site needs. Accessories like drain valves, vents, volume reducers and Pressure gauges can be supplied.

### MWTBF Multiple Bag Filter Housing

#### Technical Data

Material:	Housing: stainless steel 1.4301 ( AISI304 ) / 1.4404 ( AISI 316 L ) Basket: stainless steel 1.4301 ( AISI304 ) / 1.4404 ( AISI 316 L ) O-Rings: Viton ( Viton-FEP-encapsulated, EPDM, Silicone, Buna )
In- / Outlet:	size, location and termination adjustable to on-site needs
Vent:	2 x 1/2" internal threads ( adjustable to on-site needs )
Drain:	1" internal thread ( adjustable to on-site needs )
Filter bags:	3/4/6/8/10 size 1 or size 2
Installations:	stainless steel 1.4301 ( AISI304 ) / 1.4404 ( AISI 316 L )
Differential pressure:	max. 1.5 bar
Pressure:	max. 6 / 10 / 16 bar
Temperature:	max. 95°C With PP-filter bags max. 70°C, because of bag material
Flow rate:	The flow rate correlates to the nominal diameter of the housing connection and the characteristic curve of the chosen filter bags

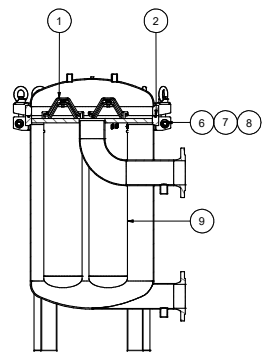
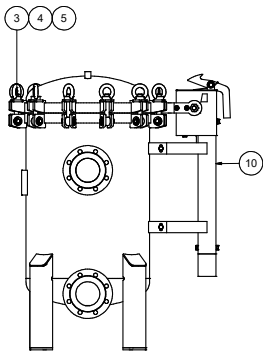
#### Applications

- Particle filter for cooling circuits
- Particle filter for cleaning baths
- Prefilter for reverse osmosis units
- Protection filters for pumps
- Prefilter for water treatment plants
- Endfilter for activated carbon filters an ion exchangers
- Fine filter for suspended solids in well water
- Process filter for color, paints and solvents
- Coarse filter for delivery per refueling vehicle

#### Features and Benefits

- Multiple bag filter housing for filter bags size 1 or size 2
- Multiple bag filter housing for 3/4/6/8 or 10 filter bags
- Multiple bag filter housing with with hinged cover and encased spring assembly or lift-swivel device
- Multiple bag filter housing for 6 / 10 or 16 bar
- Hinged cover can be opened and closed easily
- Pressure basket made of stainless steel
- bag-adaptation for WFB-Filter bags or non company bags
- Installation options are mesh-lined strainer baskets, LUPUS®II-elementes or magnet inserts
- Nominal size, location and termination of connections adjustable to on-site needs

### Spare parts

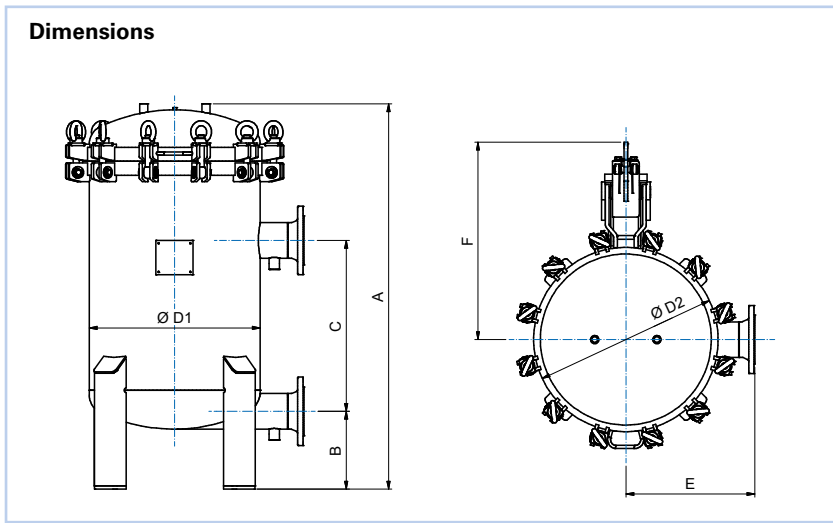


### Spare parts

Pos.	Description	Material	Order designation	Order No.
1	MWTBF-Locking device	Stainless steel 1.4404	MWTBF-Arretiervorrichtung	999993
2	3WTBF-O-Ring	Viton	3WTBF-ORVIT-GEH	999996
	4WTBF-O-Ring		4WTBF-ORVIT-GEH	999996
	6WTBF-O-Ring		6WTBF-ORVIT-GEH	999996
	8WTBF-O-Ring		8WTBF-ORVIT-GEH	999996
	10WTBF-O-Ring		10WTBF-ORVIT-GEH	999996
	3WTBF-O-Ring	Viton-FEP-encapsulated	3WTBF-ORFEP-GEH	999996
	4WTBF-O-Ring		4WTBF-ORFEP-GEH	999996
	6WTBF-O-Ring		6WTBF-ORFEP-GEH	999996
	8WTBF-O-Ring		8WTBF-ORFEP-GEH	999996
	10WTBF-O-Ring		10WTBF-ORFEP-GEH	999996
	3WTBF-O-Ring	EPDM	3WTBF-OREPDM-GEH	999996
	4WTBF-O-Ring		4WTBF-OREPDM-GEH	999996
	6WTBF-O-Ring		6WTBF-OREPDM-GEH	999996
	8WTBF-O-Ring		8WTBF-OREPDM-GEH	999996
	10WTBF-O-Ring		10WTBF-OREPDM-GEH	999996
	3WTBF-O-Ring	Buna	3WTBF-ORBUN-GEH	999996
	4WTBF-O-Ring		4WTBF-ORBUN-GEH	999996
	6WTBF-O-Ring		6WTBF-ORBUN-GEH	999996
	8WTBF-O-Ring		8WTBF-ORBUN-GEH	999996
	10WTBF-O-Ring		10WTBF-ORBUN-GEH	999996
	3WTBF-O-Ring	Silicone	3WTBF-ORSIL-GEH	999996
	4WTBF-O-Ring		4WTBF-ORSIL-GEH	999996
	6WTBF-O-Ring		6WTBF-ORSIL-GEH	999996
	8WTBF-O-Ring		8WTBF-ORSIL-GEH	999996
	10WTBF-O-Ring		10WTBF-ORSIL-GEH	999996
3	MWTBF-Eyebolt	C15, C-steel	MWTBF-Augenschraube-C	999998
	MWTBF-Eyebolt	Stainless steel V2A	MWTBF-Augenschraube-LG	999998
4	MWTBF-Ring nut	C15, C-steel	MWTBF-Ringmutter-C	999998
	MWTBF-Ring nut	Stainless steel V2A	MWTBF-Ringmutter-LG	999998
5	MWTBF-Washer	Stainless steel V2A	MWTBF-U-Scheibe-LG	999998
6	MWTBF-Bolt	Stainless steel	MWTBF-Bolzen-TG	999998
7	MWTBF-Retaining ring	Stainless steel V2A	MWTBF-Sicherungsring-LG	999998
8	MWTBF-Bolt Washer	Stainless steel V2A	MWTBF-Bolzen-Scheibe-LG	999998
9	MWTBF-Basket	Stainless steel 1.4404	MWTBF-Korb-TG	999993
10	MWTBF-Spring assembly	Stainless steel	MWTBF-Federpaket	999998



Variant F



**Dimensions**

Type	A	B	C	Ø D1	Ø D2	E	F	Variant
3WTBF40	910	250	250	450	504	365	590	F
3WTBF85	1240	250	550	450	504	365	590	F
4WTBF40	910	250	250	550	593	415	635	F
4WTBF85	1240	250	550	550	593	415	635	F
6WTBF40	910	250	250	650	698	450	686	F
6WTBF85	1240	250	550	650	698	450	686	F
8WTBF85	1420	535	410	800	844	630	570	HS
10WTBF85	2120	880	380	900	944	800	675	HS

All dimensions are approx. Dimensions (The release drawing contains the correct dimensions)



Variant HS

### Order example

4	WTBF	85	F	100	-	SS	-	T	T	V	-	-	F
1	2	3	4	5		6		7	8	9			10

### Order information

Pos	Designation	
1	3	3 filter elements
	4	4 filter elements
	6	6 filter elements
	8	8 filter elements (only HS Variant)
	10	10 filter elements (only HS Variant)
2	WTBF	Wolftechnik Bag Filter Housing
3	40	For filter bags size P1P
	85	For filter bags size P2P
4	F	Flange
	M	Screwed connection DIN11851
	TC	TriClamp
	C	Camloc coupling
5	80	DN80
	100	DN100
	125	DN125
	150	DN150
6	SS	Connection position side/below
	SU	Connection position side/below
	SD	Connection position side/below
7	L	Housing material stainless steel 1.4301 ( AISI304 )
	T	Housing material stainless steel 1.4401/1.4404 ( AISI316 )
8	T	Supporting baskte material stainless steel 1.4401 ( AISI316 )
9	V	O-Rings Viton
	B	O-Rings Buna
	E	O-Rings EPDM
	S	O-Rings Silicone
	F	O-Rings Viton-FEP-encapsulated
10	F	Hinged cover with encased spring assembly
	HS	Lift-swivel device

## Accessories & Mountings

Fittings and accessories for our filter housings made of stainless steel, brass or plastic increase the use and safety for the user and for the operating personnel. We offer useful accessories and options for all filter housings to complete the standard versions.



### Accessories

Vents necessary for operation to release the pressure when changing filters, instruments suitable for rest-drainage, pressure controls and gauges when using the filter housings are a typical equipment for pressure vessels, and can be custom made and delivered for specific use.