

Bag Filters and Strainer Baskets

MWTBF-HS Multiple Bag Filter Housing with lift-swivel device

Universal filter housing made of stainless steel for general, industrial applications. Multi Bag Filter Housings with lift-swivel device are available for 2/3/4/5/6/7/8/9/10/12 size 2 filter bags. With the lift-swivel device, the hinged cover is cranked upwards by means of a handwheel and then swiveled to the side. Inside the housing is the mounting plate with the support baskets and locking devices for the respective number of selected filter bags.

The inlet and outlet connectors are located at the lowest point at the bottom of the housing. Accessories like drain valves, vents, volume reducers and pressure gauges can be supplied.



MWTBF-HS Multiple Bag Filter Housing with lift-swivel device

Technical Data

Material:	Housing: stainless steel 1.4301 (AISI304) / 1.4404 (AISI 316 L)
	Basket: stainless steel 1.4301 (AISI304) / 1.4404 (AISI 316 L)
	O-Rings: Viton (Viton+Teflon, EPDM, Silicone, Buna)
In- / Outlet:	See table
Vent:	½" internal thread
Drain:	2" internal thread
Filter bags:	2/3/4/5/6/7/8/9/10/12 size 2
Installations:	stainless steel 1.4301 (AISI304) / 1.4404 (AISI 316 L)
Differential pressure:	max. 1.5 bar
Pressure:	max. 7 bar
Temperature:	max. 75°C
	With PP-filter bags max. 70°C, because of bag material
Flow rate:	The flow rate correlates to the nominal diameter of the housing connection and the characteristic curve of the chosen filter bags

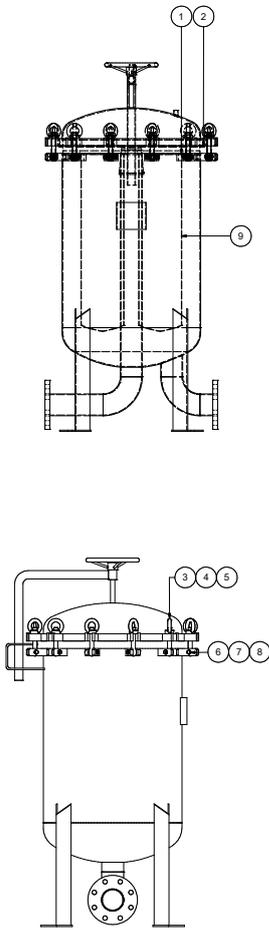
Applications

- Particle filter for cooling circuits
- Particle filter for cleaning baths
- Prefilter for reverse osmosis units
- Protection filters for pumps
- Prefilter for water treatment plants
- Endfilter for activated carbon filters an ion exchangers
- Fine filter for suspended solids in well water
- Process filter for color, paints and solvents
- Coarse filter for delivery per refueling vehicle

Features and Benefits

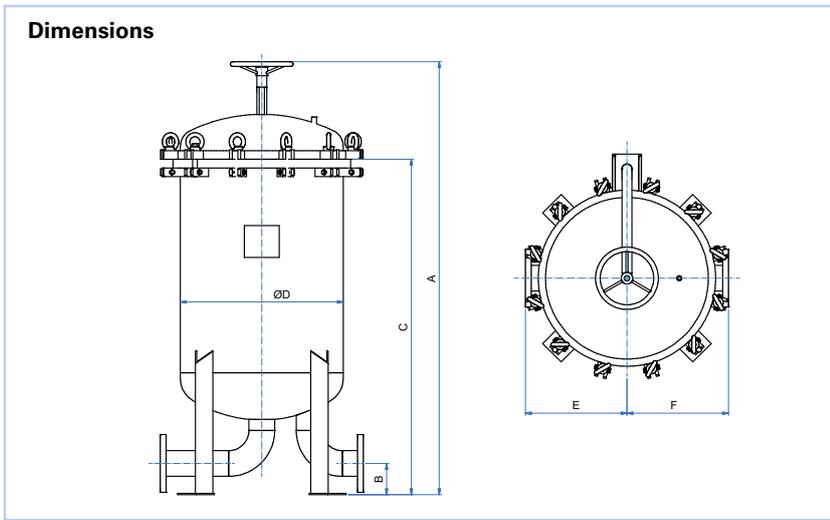
- Universal filter housing for general, industrial applications
- Multiple bag filter housing for 2/3/4/5/6/7/8/9/10 oder 12 Filterbeutel
- Multiple bag filter housing with lift-swivel device
- Mehrfachbeutelfiltergehäuse für 7 bar
- Pressure basket made of stainless steel
- Bag-adaption for WFB-Filter bags

Spare parts



Spare parts

Pos.	Description	Material	Order designation	Order No.
1	MWTBF-HS-Locking device	Stainless steel 1.4404	MWTBF-HS-Arretiervorrichtung	999993
2	2WTBF-HS-O-Ring	Viton	2WTBF-HS-ORVIT-GEH	999996
	3WTBF-HS-O-Ring		3WTBF-HS-ORVIT-GEH	999996
	4WTBF-HS-O-Ring		4WTBF-HS-ORVIT-GEH	999996
	5WTBF-HS-O-Ring		5WTBF-HS-ORVIT-GEH	999996
	6WTBF-HS-O-Ring		6WTBF-HS-ORVIT-GEH	999996
	7WTBF-HS-O-Ring		7WTBF-HS-ORVIT-GEH	999996
	8WTBF-HS-O-Ring		8WTBF-HS-ORVIT-GEH	999996
	9WTBF-HS-O-Ring		9WTBF-HS-ORVIT-GEH	999996
	10WTBF-HS-O-Ring		10WTBF-HS-ORVIT-GEH	999996
	12WTBF-HS-O-Ring		12WTBF-HS-ORVIT-GEH	999996
	2WTBF-HS-O-Ring	Teflon+Viton	2WTBF-HS-ORTV-GEH	999996
	3WTBF-HS-O-Ring		3WTBF-HS-ORTV-GEH	999996
	4WTBF-HS-O-Ring		4WTBF-HS-ORTV-GEH	999996
	5WTBF-HS-O-Ring		5WTBF-HS-ORTV-GEH	999996
	6WTBF-HS-O-Ring		6WTBF-HS-ORTV-GEH	999996
	7WTBF-HS-O-Ring		7WTBF-HS-ORTV-GEH	999996
	8WTBF-HS-O-Ring		8WTBF-HS-ORTV-GEH	999996
	9WTBF-HS-O-Ring		9WTBF-HS-ORTV-GEH	999996
	10WTBF-HS-O-Ring		10WTBF-HS-ORTV-GEH	999996
	12WTBF-HS-O-Ring		12WTBF-HS-ORTV-GEH	999996
	2WTBF-HS-O-Ring	EPDM	2WTBF-HS-OREPDM-GEH	999996
	3WTBF-HS-O-Ring		3WTBF-HS-OREPDM-GEH	999996
	4WTBF-HS-O-Ring		4WTBF-HS-OREPDM-GEH	999996
	5WTBF-HS-O-Ring		5WTBF-HS-OREPDM-GEH	999996
	6WTBF-HS-O-Ring		6WTBF-HS-OREPDM-GEH	999996
	7WTBF-HS-O-Ring		7WTBF-HS-OREPDM-GEH	999996
	8WTBF-HS-O-Ring		8WTBF-HS-OREPDM-GEH	999996
	9WTBF-HS-O-Ring		9WTBF-HS-OREPDM-GEH	999996
	10WTBF-HS-O-Ring		10WTBF-HS-OREPDM-GEH	999996
	12WTBF-HS-O-Ring		12WTBF-HS-OREPDM-GEH	999996
	2WTBF-HS-O-Ring	Buna	2WTBF-HS-ORBUN-GEH	999996
	3WTBF-HS-O-Ring		3WTBF-HS-ORBUN-GEH	999996
	4WTBF-HS-O-Ring		4WTBF-HS-ORBUN-GEH	999996
	5WTBF-HS-O-Ring		5WTBF-HS-ORBUN-GEH	999996
	6WTBF-HS-O-Ring		6WTBF-HS-ORBUN-GEH	999996
	7WTBF-HS-O-Ring		7WTBF-HS-ORBUN-GEH	999996
	8WTBF-HS-O-Ring		8WTBF-HS-ORBUN-GEH	999996
	9WTBF-HS-O-Ring		9WTBF-HS-ORBUN-GEH	999996
	10WTBF-HS-O-Ring		10WTBF-HS-ORBUN-GEH	999996
	12WTBF-HS-O-Ring		12WTBF-HS-ORBUN-GEH	999996
	2WTBF-HS-O-Ring	Silicone	2WTBF-HS-ORSIL-GEH	999996
	3WTBF-HS-O-Ring		3WTBF-HS-ORSIL-GEH	999996
	4WTBF-HS-O-Ring		4WTBF-HS-ORSIL-GEH	999996
	5WTBF-HS-O-Ring		5WTBF-HS-ORSIL-GEH	999996
	6WTBF-HS-O-Ring		6WTBF-HS-ORSIL-GEH	999996
	7WTBF-HS-O-Ring		7WTBF-HS-ORSIL-GEH	999996
	8WTBF-HS-O-Ring		8WTBF-HS-ORSIL-GEH	999996
	9WTBF-HS-O-Ring		9WTBF-HS-ORSIL-GEH	999996
	10WTBF-HS-O-Ring		10WTBF-HS-ORSIL-GEH	999996
	12WTBF-HS-O-Ring		12WTBF-HS-ORSIL-GEH	999996
3	MWTBF-HS-Eyebolt	C15, C-steel	MWTBF-HS-Augenschraube-C	999998
	MWTBF-HS-Eyebolt	Stainless steel V2A	MWTBF-HS-Augenschraube-LG	999998
4	MWTBF-HS-Ring nut	C15, C-steel	MWTBF-HS-Ringmutter-C	999998
	MWTBF-HS-Ring nut	Stainless steel V2A	MWTBF-HS-Ringmutter-LG	999998
5	MWTBF-HS-Washer	Stainless steel V2A	MWTBF-HS-U-Scheibe-LG	999998
6	MWTBF-HS-Bolt	Stainless steel	MWTBF-HS-Bolzen-TG	999998
7	MWTBF-HS-Retaining ring	Stainless steel V2A	MWTBF-HS-Sicherungsring-LG	999998
8	MWTBF-HS-Bolt Washer	Stainless steel V2A	MWTBF-HS-Bolzen-Scheibe-LG	999998
9	MWTBF-HS-Basket	Stainless steel 1.4404	MWTBF-HS-Korb-TG	999993



Dimensions

Type	A	B	C	Ø D1	E	F
2WTBF-HS-85-F80	1432	108	1061	406	251	333
2WTBF-HS-85-F100	1488	127	1117	406	289	371
3WTBF-HS-85-F80	1471	108	1081	508	343	343
3WTBF-HS-85-F100	1527	127	1137	508	374	350
4WTBF-HS-85-F80	1493	108	1092	560	349	349
4WTBF-HS-85-F100	1549	127	1148	560	350	387
4WTBF-HS-85-F150	1673	152	1254	600	449	427
5WTBF-HS-85-F80	1493	108	1092	560	349	349
5WTBF-HS-85-F100	1549	127	1148	560	350	387
5WTBF-HS-85-F150	1673	152	1254	600	449	427
6WTBF-HS-85-F80	1519	108	1100	600	380	354
6WTBF-HS-85-F100	1575	127	1156	600	366	397
6WTBF-HS-85-F150	1673	152	1254	600	449	427
7WTBF-HS-85-F80	1709	108	1132	762	409	404
7WTBF-HS-85-F100	1765	127	1188	762	426	438
7WTBF-HS-85-F150	1864	152	1287	762	459	468
7WTBF-HS-85-F200	1970	184	1393	762	490	557
8WTBF-HS-85-F100	1765	127	1188	762	426	438
8WTBF-HS-85-F150	1864	152	1287	762	459	468
8WTBF-HS-85-F200	1970	184	1393	762	490	557
9WTBF-HS-85-F150	1885	152	1298	813	485	531
9WTBF-HS-85-F200	1990	184	1403	813	561	455
10WTBF-HS-85-F150	1905	152	1308	864	485	607
10WTBF-HS-85-F200	2010	184	1414	864	561	506
10WTBF-HS-85-F250	2161	216	1539	965	523	696
12WTBF-HS-85-F200	2056	184	1434	965	526	604
12WTBF-HS-85-F250	2161	216	1539	965	523	696

All dimensions are approx. Dimensions (The release drawing contains the correct dimensions)

Order example

4	WTBF-HS	85	F	100	-	SS	-	T	T	V	-	-
1	2	3	4	5	6	7	8	9				

Order information

Pos	Designation	
1	2	2 filter elements
	3	3 filter elements
	4	4 filter elements
	5	5 filter elements
	6	6 filter elements
	7	7 filter elements
	8	8 filter elements
	9	9 filter elements
	10	10 filter elements
	12	12 filter elements
2	WTBF-HS	Wolftechnik Bag Filter Housing with lift-swivel device
3	85	For filter bags size P2P
4	F	Flange
	TC	TriClamp
5	80	DN80
	100	DN100
	150	DN150
	200	DN200
	250	DN250
6	SS	Connection position side/below
7	L	Housing material stainless steel 1.4301 (AISI304)
	T	Housing material stainless steel 1.4401/1.4404 (AISI316)
8	L	Supporting baskte material stainless steel 1.4401/1.4404 (AISI316)
	T	Supporting baskte material stainless steel 1.4401 (AISI316)
9	V	O-Rings Viton
	B	O-Rings Buna
	E	O-Rings EPDM
	S	O-Rings Silicone
	F	O-Rings Teflon+Viton

Accessories & Mountings

Fittings and accessories for our filter housings made of stainless steel, brass or plastic increase the use and safety for the user and for the operating personnel. We offer useful accessories and options for all filter housings to complete the standard versions.



Accessories

Vents necessary for operation to release the pressure when changing filters, instruments suitable for rest-drainage, pressure controls and gauges when using the filter housings are a typical equipment for pressure vessels, and can be custom made and delivered for specific use.