

Cartridge Filter Housings



WTMF Magnetic filter housing with hinged cover and socket made of casted stainless steel

WTMF stainless steel magnetic filter housing with hinged cover and socket made of cast stainless steel convincing with their compact, small design. With the special construction of the socket bottom and a horizontal outlet, the housings can be completely emptied. The WTMF stainless steel magnetic filter housings are equipped with 5, 7 and 9 magnetic rods. After pulling out the magnet insert from the cover pipe shells, the ferritic particles can be easily removed from the pipe shells.

Another feature of the WTMF magnetic filter housings is that the type and size of the inlet connector and outlet connector are variable. All required specifications are implemented and manufactured according to order.

WTMF Magnetic filter housing made of stainless steel

Technical data

Material:	Housing: Stainless steel 1.4404 (AISI 316L) / 1.4301 (AISI 304)
	Magnetic rod: Neodym, 1.2 Tesla (12,000 Gauss)
	O-ring: Viton (Viton-FEP-encapsulated, EPDM, Silicone, Buna)
In-/Outlet:	Type and size according to customer specification
Vent:	1/4" internal thread
Drainage:	1/2" internal thread
Number of magnetic rods:	5, 7 or 9
Max. Operating Pressure:	10 bar
Max Operating Temperature:	80°C
Flow rate:	The recommended maximum flow rate depends on the size of the connections and the number of magnet inserts

Applications

- Pre-filter for protection and service life extension
- Post-filter for the separation of the finest iron particles
- Particle filters for process fluids in mechanical processing

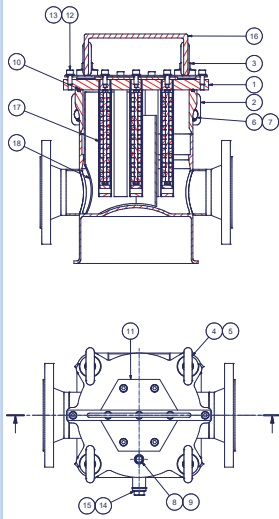
Features and Benefits

- Filter housing with hinged cover and base made of cast stainless steel 1.4404 / 1.4301
- Compact, small design
- Variable inlet and outlet connectors
- For 5, 7 or 9 pull-out magnetic rods with pipe shells
- Easy cleaning of the magnetic inserts by pulling out the magnetic rods from the pipe shells



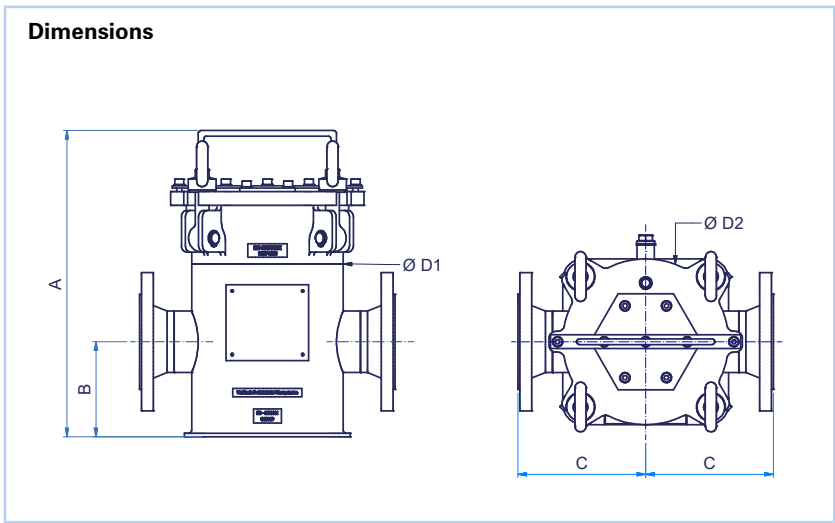
Easy cleaning of the magnetic inserts by pulling out the magnetic rods from the pipe shells

Spare parts



Spare parts

Pos.	Description	Material	Order designation	Order No.
1	05WTMF-cover	Stainless steel 1.4404	05WTMF-Deckel	999992
	07WTMF-cover		07WTMF-Deckel	999992
	09WTMF-cover		09WTMF-Deckel	999992
2	05WTMF-flange	Stainless steel 1.4404	d-168x3-Flansch-TG	007474
	07WTMF-flange		d-219x3-Flansch-TG	007428
	09WTMF-flange		d-273x3-Flansch-TG	007476
3	05WTMF-swinging bolt	C15, Seel zinc plated	d168x3-Augenschraube-C	007730
	07WTMF-swinging bolt		d219x3-Augenschraube-C	007732
	09WTMF-swinging bolt		d219x3-Augenschraube-C	007732
4	05WTMF-ring nut	C15, Steel zinc plated	d168x3-Ringmutter-C	007731
	07WTMF-ring nut		d219x3-Ringmutter-C	007733
	09WTMF-ring nut		d219x3-Ringmutter-C	007733
5	05WTMF-washer	Stainless steel V2A	d168x3-U-Scheibe-C	007721
	07WTMF-washer		d219x3-U-Scheibe-C	007432
	09WTMF-washer		d219x3-U-Scheibe-C	007432
6	05WTMF-bolt, short	Stainless steel 1.4404	d168x3-Bolzen-kurz-TG	007726
	07WTMF-bolt, short		d219x3-Bolzen-kurz-TG	007433
	09WTMF-bolt, short		d219x3-Bolzen-kurz-TG	007433
7	05WTMF-retaining ring	V2A	d168x3-Sicherungsring-LG	007720
	07WTMF-retaining ring		d219x3-Sicherungsring-LG	007429
	09WTMF-retaining ring		d219x3-Sicherungsring-LG	007429
8	Hex.-plug 1/4"	1.4571	3WT-ESTOP-1/4-T	007151
9	Gasket	PTFE	3WT-DIPTFE-ENTL	000364
10	05WTMF-O-ring	Viton	03WTGD-ORVIT-GEH	007748
	07WTMF-O-ring		WTBF40-ORVIT-GEH	001082
	09WTMF-O-ring		08WTGD-ORVIT-GEH	007734
	05WTMF-O-ring	Viton-FEP-encapsulated	03WTGD-ORFEP-GEH	002041
	07WTMF-O-ring		WTBF40-ORFEP-GEH	002252
	09WTMF-O-ring		08WTGD-ORFEP-GEH	999996
	05WTMF-O-ring	EPDM	03WTGD-OREPDM-GEH	008367
	07WTMF-O-ring		WTBF40-OREPDM-GE	005672
	09WTMF-O-ring		08WTGD-OREPDM-GEH	007848
11	05WTMF-Magnetic holder	Stainless steel 1.4301	05WTMF-Magnethalter	999992
	07WTMF-Magnetic holder		07WTMF-Magnethalter	999992
	09WTMF-Magnetic holder		09WTMF-Magnethalter	999992
12	Six-socket screw	V2A	WTMF-Innensechskantschraube	999992
13	Spring ring	V2A	WTMF-Federring	999992
14	Hex.-plug 1/2"	1.4571	3WT-ASTOP-1/2-T	007154
15	Gasket for plug	PTFE	3WT-DIPTFE-ABL	000363
16	05WTMF-Handle	Stainless steel 1.4404	05WTMF-Handgriff	999992
	07WTMF-Handle		07WTMF-Handgriff	999992
	09WTMF-Handle		09WTMF-Handgriff	999992
17	05WTMF-Magnetic rod	Neodym,	05WTMF-Magnetstab	999991
	07WTMF-Magnetic rod	1.2 Tesla / 1.4301	07WTMF-Magnetstab	999991
	09WTMF-Magnetic rod		09WTMF-Magnetstab	999991
18	05WTMF-Baffle	Stainless steel 1.4404	05WTMF-Umlenblech	999992
	07WTMF-Baffle		07WTMF-Umlenblech	999992
	09WTMF-Baffle		09WTMF-Umlenblech	999992



Dimensions

	A	B	C	Ø D1	Ø D2
05WTMF-F50	370	123	155	168	185
07WTMF-F80	445	137	185	219	240
09WTMF-F100	420	150	220	273	290

All dimensions are approx. dimensions



Filter housing with hinged cover and socket made of cast stainless steel



Pull-out magnet inserts from the pipe shells



Pipe shells for easy cleaning of the ferristic particles

Order example

05	WTMF	F	50	T	V
1	2	3	4	5	6

Order information

Pos	Description	
1	05	5 Magnetic rods
	07	7 Magnetic rods
	09	9 Magnetic rods
2	WTMF	Wolftechnik magnetic filter housing with casted hinged cover and socket made from stainless steel
3	F	Flange EN1092
	R	BSP-pipe-thread, female
	M	screwed pipe connection DIN11851
	C	Camloc-coupling, male
	TC	TriClamp
4	1½	1 ½" BSP-thread
	2	2" BSP-thread
	40	DN40
	50	DN50
	65	DN65
	80	DN80
	100	DN100
5	L	Housing material stainless steel 1.4404/1.4301
	T	Housing material stainless steel 1.4404/1.4571
6	V	O-ring = Viton
	B	O-ring = Buna
	E	O-ring = EPDM
	S	O-ring = Silicone
	F	Viton-FEP-encapsulated