

WT-High-Flow-Housings



WTHF out of stainless steel

WTHF out of stainless steel

WT-High-Flow-Housings are built with regard to the flow rate much more compact and space-saving as common filter housings with standard filter elements. For this, diameter, length and adapter-connection-plate of the WT-High-Flow-Housings are tailored to accept WFHFF- and WFHFC-High-Flow-Elements. For this, flow rates up to 30 m³/h can be achieved.

WTHF-High-Flow-Housings are made from stainless steel AISI 316L. The nominal size of the connections for inlet and outlet ranges according from DN50 to DN80. The housing cover of the WTHF-housings are equipped with swing-bolts and ring-nuts.

All WTHF-Housings can be supplied with two pressure-gauges for inlet and outlet as well as two ball valves for drain and vent.

New



Technical Data

Material:	Housing: WTHF: stainless steel AISI 316L
	Gaskets: FKM, optional EPDM or Silicone
	Swing-bolts and ring-nuts: AISI304
Inlet / outlet:	see table (different connections on request)
Pressure-gauge:	2 x R ¼"
Vent:	1 x R ½"
Drain:	1 x R ½"
Filter element:	1 x WFHFF or WFHFC
	length see table
Internal parts:	Stainless steel AISI 316L
Pressure:	max. 10 bar
Temperature:	max. 95°C
Flow rate:	The maximum flow rate correlates to the nominal diameter of the housing connection and the characteristic curve of the flow rate of the chosen filter element.

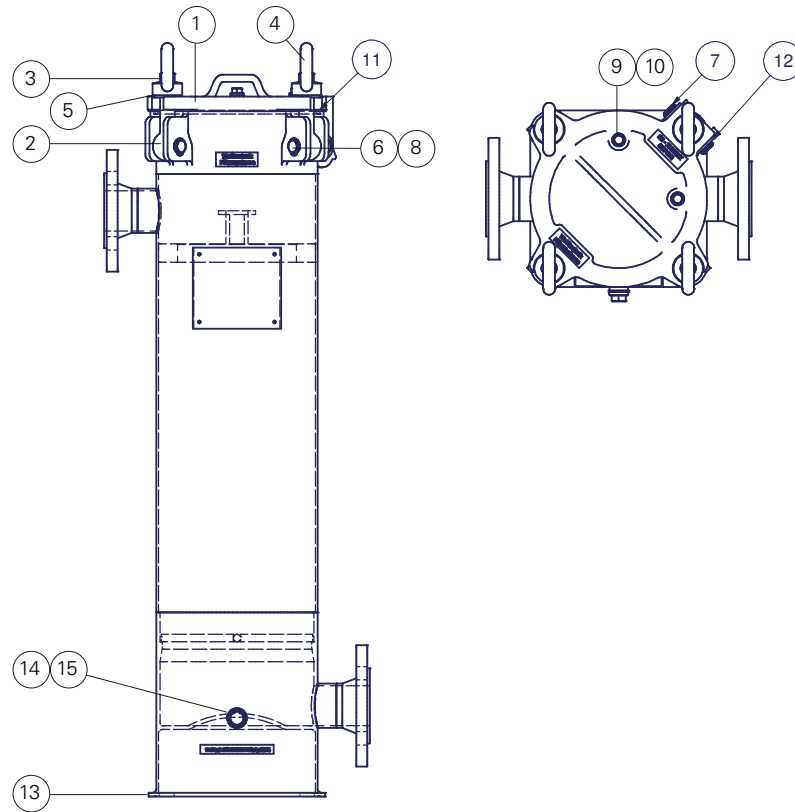
Applications

- Pre-filter of water-treatment-plants
- Fine-filter for well-water
- Circuit filter for protection of heat-exchangers
- Main flow filter for cooling water

Features and Benefits

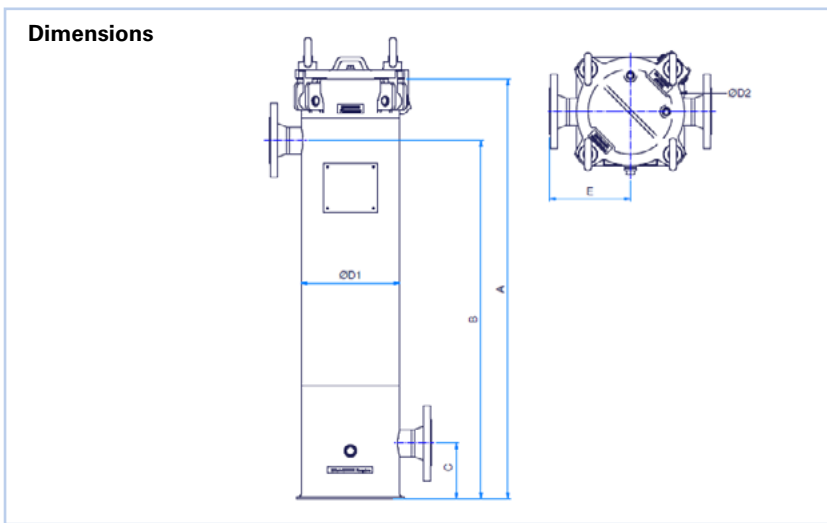
- Compact and space-saving design with regard to the flow rate
- For High-Flow filter elements WTHFF and WTHFC
- Completely made from stainless steel AISI 316L
- Housing cover WTHF with swing-bolts and ring-nuts

Spare parts



Spare parts

Pos.	Description	Material	Order designation	Order No.
1	Cover	Stainless steel 1.4404	d219x3-Deckel-TG	007427
2	Flange	Stainless steel 1.4404	d219x3-Flansch-TG	007428
3	Swiving bolt	C15 C-steel, zinc plated	d219x3-Augenschraube-C	007732
4	Ring nut	C15 C-steel, zinc plated	d219x3-Ringmutter-C	007733
5	Washer	Stainless steel A2	d219x3-U-Scheibe-L	007432
6	Bolt, short	1.4404	d219x3-Bolzen-kurz-TG	007433
7	Bolt, long	1.4404	d219x3-Bolzen-lang-TG	007434
8	Retaining ring	C15 C-steel, zinc plated	d219x3-Sicherungsring-LG	007429
9	Hex-plug	1.4571	3WT-ESTOP-1/4-T	007151
10	Gasket	PTFE	3WT-DIPTFE-ENTL	000364
11	O-Ring for housing	Viton	WTBF40-ORVIT-GEH	001082
		Viton encapsulated	WTBF40-ORFEB-GEH	002252
		EPDM	WTBF40-OREPDM-GEH	005672
		Buna	WTBF40-ORBUN-GEH	001154
		Silicone	WTBF40-ORSIL-GEH	003856
12	Washer	Stainless steel A2	d219x3-U-Scheibe-L	007478
13	Socket	Stainless steel 1.4404	d219x5-Sockel-TG	009002
14	Drain plug 1/2"	1.4571	3WT-ASTOP-1/2-T	007154
15	Gasket	PTFE	3WT-DIPTFE-ABL	000363
16	Press-on-device	Stainless steel 1.4404	WTHF-Andrueckvorrichtung-TG	999992



Dimensions

Typ	WFHF-elements	A(mm)	B(mm)	C(mm)	D1(mm)	D2(mm)	E(mm)	Inlet/ Outlet
WTHF-1-20	1x20"	930	795	123	219	240	180	DN50
WTHF-1-40	1x40"	1440	1305	123	219	240	180	DN50

Additional sizes and lengths or different connections for inlet and outlet on request.

Oder example

WTHF	-1	-20	-F	50	-SS	-T	V	-GD	S	-V
1	2	3	4	5	6	7	8	9	10	11

Order information

Pos	Designation	
1	WTHF: WTHF-High-Flow-Housing	
2	1:	1 x High-Flow-Element
3	20:	High-Flow-Element 20" length
	40:	High-Flow-Element 40" length
4	F:	Flange
	R:	Internal pipe thread
	M:	Screwed connection DIN11851
	TC:	TriClamp
	C:	Camloc coupling
5	50:	Connection DN 50
	65:	Connection DN 65
	80:	Connection DN 80
6	SS:	Inlet position on side, outlet on side diagonally across
	SD:	Inlet position on side, outlet on side below it (on one side)
7	T:	Housing material AISI 316L
	L:	Housing material AISI 304
8	V:	O-Ring FKM
	B:	O-Ring Buna
	E:	O-Ring EPDM
	S:	O-Ring Silicone
	F:	O-Ring Viton-FEP-encapsulated
9	GD:	Hinged cover casted stainless steel with swing bolts and ring nuts
10	S:	Socketed casted stainless steel
11	V:	Vertical Design
	H:	Horizontal Design